

Everbright Luxury Vinyl Plank Flooring Installation

Preparation

Our Luxury Vinyl Plank Flooring can be installed directly over most existing floors with the requirements that it needs to be clean, flat, dry and structurally intact. With no loose grout, tile, or planks. In the case of wood flooring installed over concrete must be removed prior to our Luxury Vinyl Plank Flooring installation. And Concrete must be smooth and permanently dry. It is important to 1) fully understand the detailed installation instruction provided, 2) fully understand the type of floor and subfloor type, and 3) operate a full inspection and sub-floor preparation.

Subfloor Preparation

Fill any low spots in the subfloor greater than 1/8" in 6 feet linear area with a leveling compound. Check this by using a 6' straight leveler. Remove any high spots by either by sanding or grinding it down. Remove any existing floor molding. To undercut door frames, lay a loose plank against the frame this will act as your guide to cut for proper height allowing installed planks to fit under the door frame. ALWAYS make sure the subfloor is clean. **Do not install Luxury Vinyl Plank Flooring with any additional padding**, by doing so will **Void all Warranty**. Do not install cabinets or fixed objects on top of the flooring, especially any requiring fixing to subfloor or floor covering as this is a floating floor installation. Flooring should not be stored outside and should be installed in a climate-controlled location with a temperature range of 56-84 degrees Fahrenheit.

Start of Installation

Lay out several planks to determine the best installation pattern for the area. Measure across the room (inches) and divide by the width of a plank to see how many full-length planks will be used, and what size length will be needed for the last row. The last row should never be less than 2" in length. The length measurement of the room may require that the full start board may need to be shortened in order to achieve the same size cut plank at each end of the row.

For this reason, it is advisable that you add approximately 10% waste factor into the required square footage of the installation area. Use 1/4" spacers to maintain the proper expansion gap around the entire perimeter of the floor. Quarter Round molding can also be used to cover this expansion gap if necessary. **IMPORTANT:** this 1/4" gap must be maintained around cabinets, and any other obstacles in floor and must be added to every linear area greater than 49' with a transition to hide added expansion gap.

End seams should be 6" or more apart from end seams on adjacent row and also 6" or more from the next adjacent row. This is to ensure structural integrity and to enhance the look. Random stagger is best achieved by cutting first plank in each row with these guidelines in mind but with random lengths.

Do Not Install defective or damaged planks. Inspect each plank prior to installation and ensure that click system is free of cracks, defects, and debris.

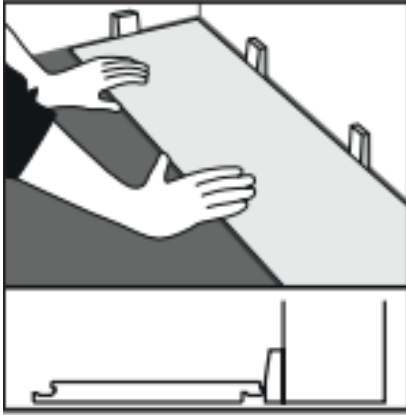


Figure 1

- 1) Starting with a full plank/tile along the wall, calculate how many widths there are across the room. If this means there will be a row of narrow planks/tiles along the opposite wall, cut the first row accordingly. Install this product with the tongue side/cut edge facing the wall. Install 3/16" (5 mm) spacers between the plank/tile and wall (Fig. 1)

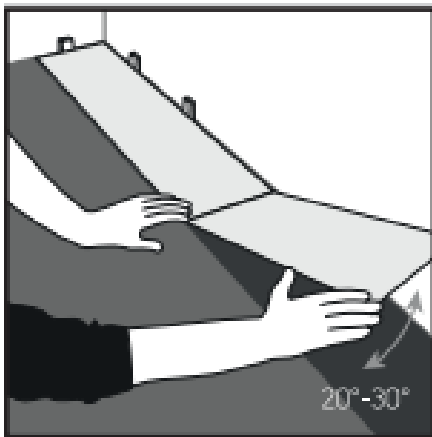


Figure 2

- 2) Install the first row, ensuring the short edges are clicked together (Fig. 2)
- 3) Using a knife and straight edge, cut the last piece of the row to size making sure that there is 3/16" (5 mm) gap between the end of the row and the wall.

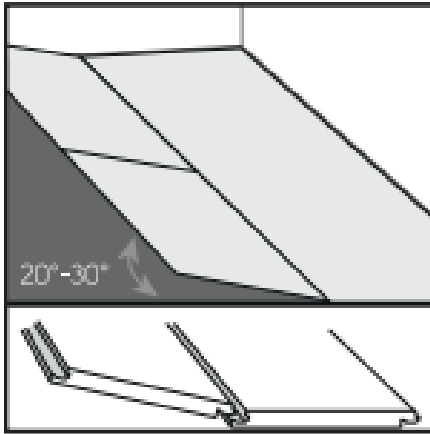


Figure 5

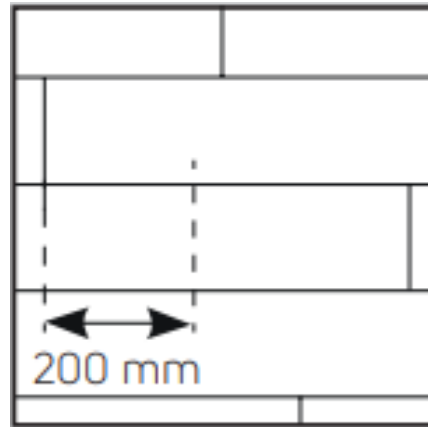


Figure 3

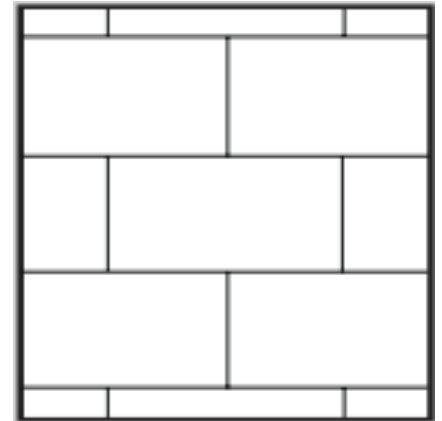


Figure 4

- 4) Start the second row by clicking the tongue into the groove holding the plank at an angle (approximately 30°), then push the plank/tile firmly into the groove of the first row. Install the next plank/tile by clicking the tongue and groove together along the short edge. Ease the tongue and groove together on the long side by angling the planks/tiles together (Fig. 3). Tiles and planks should be installed 'off-set' such that four corners never meet (Fig. 4 and Fig. 5).

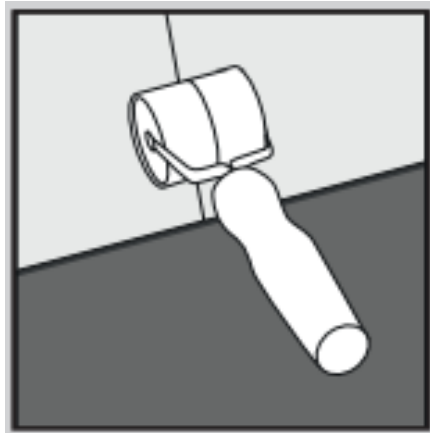


Figure 6

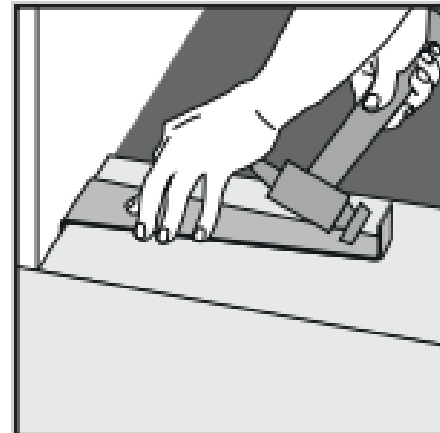


Figure 7

- 5) Continue to install planks across the room until the row is complete using a hand roller to assist (Fig. 6). Only if necessary, use a rubber mallet and an offcut of the product to gently tap the product. A pull bar can be used to pull the product together around the edges of the room (Fig. 7).
- 6) Repeat steps 4 and 5 until the installation is complete.

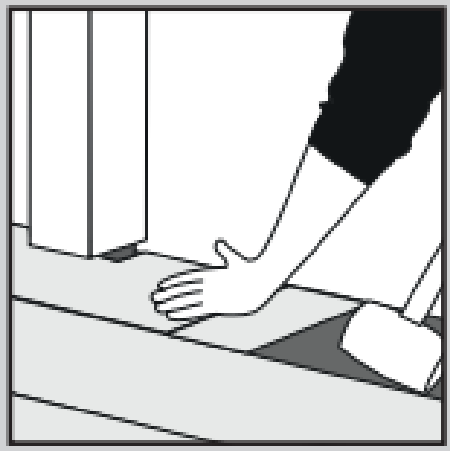


Figure 8

- 7) Under door frames: If plank/tile cannot be lifted use an adapted tapping block (off-cut of material) and mallet to carefully tap the plank/tile together flat on the floor (Fig. 8).
- 8) When installing around corners/convex corners, or complex profiles, mark the shape on the plank/tile and cut using a saw.

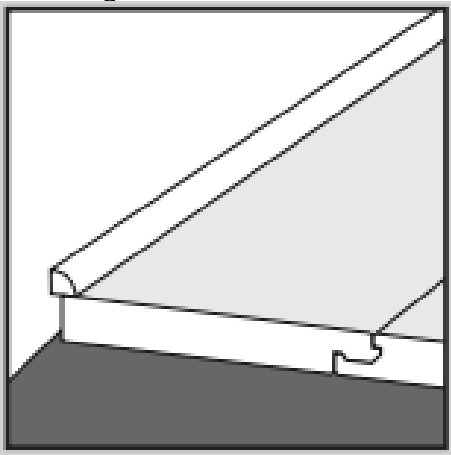


Figure 9

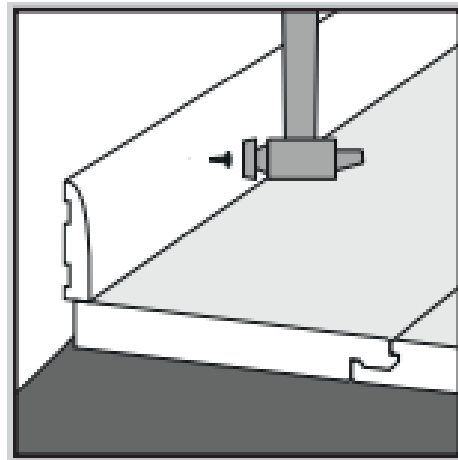


Figure 10

- 9) Once the floor is installed, remove the spacers; sweep the floor with a soft brush. Fix the skirting/base boards or suitable edge trim (available from your local distributor) to cover the expansion gaps. These should be attached to the wall and not the floor, such that the product remains free to expand (Fig. 9 & 10).
- Repeat the process of using random length start planks (minimum of 16") to ensure a more natural look.
 - Randomly pull planks from 3 cartons at a time to ensure random appearance. Use cut pieces from the end of each row as starting planks. Always stagger end joints a minimum of 12" away from each other; make random so as not to show a repeating pattern.
 - All joints should be a tight fit with no gaps. Stop and reconnect if a joint is not tight or if all edges are not even with adjacent planks. These planks can be engaged and disengaged several times if needed to help make a correct installation.
 - When cutting the last row, place a full row of planks directly on top of the previous row of installed planks (keeping the tongue in the same direction as that of the installed planks). Use the full width of a scrap piece of plank as a guide. Place a pencil next to the edge and trace a line down the planks following the contour of the wall. Cut planks on the pencil line and then connect the last row.

Care and Maintenance

Everbright's Luxury Vinyl Plank flooring is designed to withstand tough household conditions. However, to keep appearance looking its best, follow these simple instructions for protection and care.

Routine Maintenance:

- Use a damp cloth to dry up any spills as soon as they happen. Never allow liquids to stand on your floor.
- Regularly sweep, dust, or vacuum the floor with the hard floor attachment (not the beater bar) to prevent accumulation of dirt and grit that can scratch or dull the floor finish.
- Periodically clean the floor with cleaning products made specifically for Luxury Vinyl Plank Flooring floor care.
- Do not use steel wool, abrasive cleaners, or strong ammoniated or chlorinated type cleaners.
- Do not use any type of buffing or polishing machine.
- A more frequent dust-mopping or vacuuming schedule may be required in very sandy areas such as a beach home.

Environmental Protection:

- Entry mats will help collect the dirt, sand, grit, and other substances such as oil, asphalt, or driveway sealer that might otherwise be tracked onto your floor.
- To prevent slippage of area rugs, use an approved vinyl rug underlayment.
- Use floor protectors and wide, load-bearing leg bases/ rollers to minimize the chance of indentations and scratches from heavy objects. As a rule, the heavier the object, the wider the floor protector.
- To minimize instability of structure of floor, maintain an indoor climate-controlled temperature range from 32-100 degrees Fahrenheit.
- To minimize the natural expansion and contraction of the flooring, maintain a normal indoor relative humidity level between 35% and 65% throughout the year.
 - a. Heating season (Dry): A humidifier is recommended to prevent excess shrinkage due to low humidity levels. Wood stove and electric heat tend to create very dry conditions.
 - b. Non-Heating Season (Wet): An air conditioner, dehumidifier, or periodically turning on your heating will help to maintain humidity levels during summer months.
- Keep your pet's nails trimmed to prevent them from scratching your floor.
- Never try to slide heavy objects across the floor.
- A protective mat should be used under furniture or chairs with castors/wheels.

Minor Repair Instructions:

- In the event that accidental damage occurs, minor scratches or dents can be repaired using a flooring touch up or fill kit. When repaired properly, the repaired area is often invisible. The repaired area should hold up to foot traffic and wear just like the rest of your Luxury Vinyl Plank Flooring.

IMPORTANT NOTICE

Radiant Heat: Radiant heat systems must have a minimum of 1/2" separation from the product. Maximum operating temperature should never exceed 85°F (30°C). Use of an in-floor temperature sensor is recommended to avoid overheating.

In-floor Radiant Heat: Flooring can be installed over 1/2" embedded radiant heat using the floating method.

- Turn the heat off for 24 hours before, during and 24 hours after installation when installing over radiant heated subfloors.
- Failure to turn the heat off may result in significantly shortened working time of the adhesive.
- Before installing over newly constructed radiant heat systems, operate the system at maximum capacity to force any residual moisture from the cementitious topping of the radiant heat system. Concrete 30% vapor emissions should not exceed 8lbs ASTM F1869 or 90%RH (ASTM F2170) with a PH limit of 9. For floors outside of this range a 6-mil poly-film is required.
- Make sure that the temperature in the room is at least 60°F (15°C) during installation.
- Floor temperature must not exceed 85°F (30°C).
- Once the installation has been completed, the heating system should be turned on and increased gradually (5-degree increments) until returning to normal operating conditions.
- Refer to the radiant heat system's manufacturer recommendations for additional guidance.
- Failure to strictly follow adhesive manufacturer's guidelines may result in failure and void the warranty.

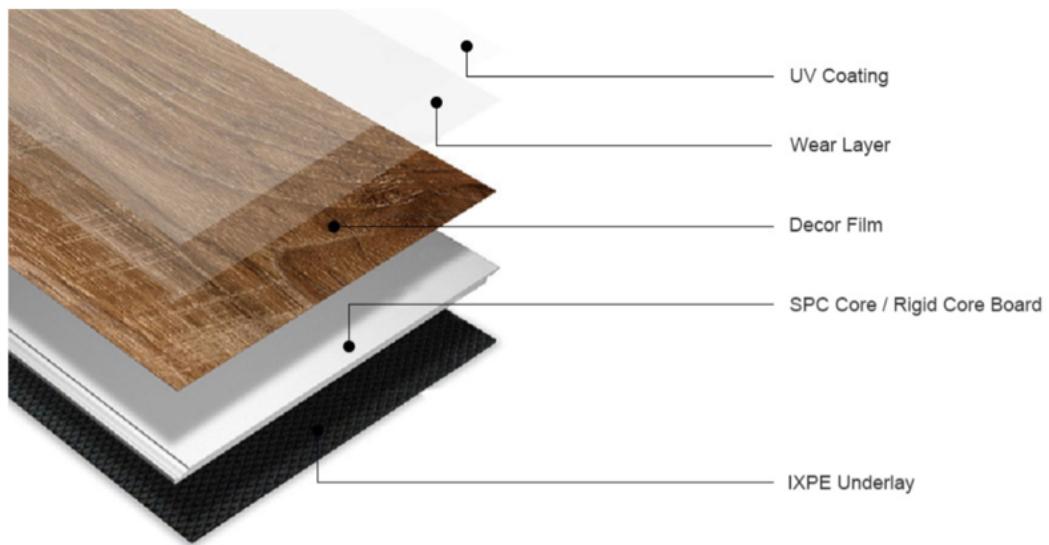
GENERAL INSTALLATION TOOLS

- Tape Measure
- Pencil
- Moisture Meter
- Hand Saw or Power Saw
- Tapping block
- Crow Bar or Pry Bar
- Utility Knife
- Chalk Line
- Wood or Plastic Spacers (1/4")
- Rubber Mallet

Warning:

Electric heating mats that are not embedded into the subfloor are not recommended for use underneath the floors. Using electric heating mats that are not embedded and applied directly underneath the floors could void the warranty for your floor in case of failure. It is best to install the flooring over embedded radiant floor heating systems and adhere to the guidelines listed above.

SPC specs warranty installation and guideline



-  Sunshine directly lighting
-  Super scratch resistant
-  Sound reduction
-  15 year guarantee for commercial usage
-  Waterproof
-  Stain Resistant
-  Cigarette stain resistant
-  Anti Slip
-  Anti bacteria

SPC FLOORING

Our SPC flooring products carries a limited 25-year residential warranty and a limited 5 year light commercial warranty. All warranties are non-transferrable. Our Warranty applies **only** to the original purchaser of our SPC flooring product beginning with the product's purchase date. The proof of purchase is required to claim the warranty. SPC flooring must be installed and maintained following our SPC flooring guideline.

Limited 25-year residential Wear Warranty

Everbright Inc. warrant the wear layer of our SPC flooring products for 25 years under normal residential use. If the product is installed and maintained following the installation guidelines provided.

The flooring product:

- Will not wear-through. Scratches, indentation, or reduction in gloss level is not considered as wear.
- Will not contain manufacturing defects
- Will not stain from common household stains
- Will not rip or tear from normal household use. (Under Normal Use)
- The edges of the flooring will not curl. (Under Normal Use)

Limited 25-year residential Structural Warranty

Everbright Inc. warrants the SPC flooring in their original manufactured condition, starting at the date of purchase, to be free from defects.

Limited 25-year residential Moisture Warranty

We warrant to the original purchaser from the date of purchase that Premium SPC flooring in its original manufactured state, under normal and reasonable use, when properly installed in accordance with the Installation Instructions, shall be resistant to damage from mopping or normal household spills. This means planks will not swell, buckle or lose integrity. The moisture warranty does not cover any structural damage caused by flooding, leaking pipes, household mechanical failures, or appliance leaks. Any damage to the subfloor and/or surrounding structure that is caused by standing water or flooding is not covered by this warranty

Limited 5-year Light-commercial Wear Warranty

Everbright Inc. warrant the wear layer of our SPC flooring products for 5 years under light commercial use as long as the product is installed and maintained following the installation guidelines provided.

The flooring product:

- Will not wear-through. Scratches, indentation, or reduction in gloss level is not considered as wear.
- Will not contain manufacturing defects
- Will not stain from common household stains

- Will not rip or tear from normal household use. (Under Normal Use)
- The edges of the flooring will not curl. (Under Normal Use)

Limited 5-year Light-commercial Structural Warranty

Everbright Inc. warrants the SPC flooring in their original manufactured condition to be free from defects SPC flooring will not delaminate. from the date of purchase, and

Limited 5-year Light-commercial Moisture Warranty

We warrant to the original purchaser from the date of purchase that Premium SPC flooring in its original manufactured state, under normal and reasonable use, when properly installed in accordance with the Installation Instructions, shall be resistant to damage from mopping or normal household spills. This means planks will not swell, buckle, or lose integrity. The moisture warranty does not cover any structural damage caused by flooding, leaking pipes, household mechanical

failures, or appliance leaks. Any damage to the subfloor and/or surrounding structure that is caused by standing water or flooding is not covered by this warranty

Exclusions

Defects or damages caused by any inappropriate conditions, environmental factors, care, maintenance, poor installation, are not covered under warranty. Inappropriate conditions include, but are not limited to:

1. Damage caused by improper storage, handling, or installation
2. Flooring installed outdoors or inappropriate locations
3. Damage caused by exposure to extreme heat or sunlight
5. Damage caused by fire, flood, storm, smoke, intentional abuse, etc.
6. Damage caused by vacuum cleaner, pets, or furniture without appropriate protection

Installation Guidelines

- Pure SPC flooring must be installed indoors
- Pure SPC flooring should not be exposed to temperatures above 140° F (60° C) or below 32° F (0° C)
-
- Expansion space should be left around the perimeter. Typically, expansion is equal to the thickness of the product installed.
- You can install on grade, below grade or above.
- Republic Floor requires 3/8" expansion for every 20 feet in length or width. A T-molding is required for greater than 40 feet in length or width.
- A 1/4" expansion space must also be for undercut jambs and casing.
- Start in a corner and lay first row with tongue sides toward walls. Proper expansion space can be achieved by pulling floor away from wall once first three rows have been installed.
- Hold the next board against the first board at approximately 45-degree angle and lay flat on floor. Continue in this manner for the entire first row.
- Cut end board in first row to correct length and start second row with left over piece (if possible). End joints must be staggered by at least 8" for a natural random appearance. Butt seam must be placed in each row regardless of width.
- Hold boards approximately 45-degree angles to board in front. Press forward to engage joint and lay flat on floor.
- When three rows have been laid, pull floor away from starting wall until there is proper amount of expansion space. Place shims between floor and wall to maintain this space.
- You can proceed until the entire floor is finished.
- Install quarter rounds or wall base.
- Kitchen island and cabinetry installations should be done before flooring is installed with the flooring next to the installed cabinetry/island.